

INSPH2F

2MP H.265 Covert Pinhole Camera

- 1/2.8" 2 Megapixel Progressive Scan STARVIS™ CMOS
- 50/60FPS at 1080P (1920×1080)
- H.265 codec, high compression rate, ultra-low bit rate
- 2.8mm Fixed Pinhole Lens
- 8-Meters Cable

Unify your Security Solution

STORM Covert Pinhole camera can be easily installed into any indoor environments, which makes this camera ideal for ATMs, banks, stores, hotels and offices. With an 8-meters cable you won't have to worry for it's discretion.

Smart H.265+ & H.264+

STORM smart encoding technology can provide high-quality video with higher efficiency and can also reduce the cost of storage space and transmission adopting an advanced algorithm of auto stream control.

On-board Analytics

This camera responds accurately to specific events in a given area. Our algorithm enables Tripwire violations, intrusion detection, abandoned/missing objects and much more. Facilitate your viewing experience using on the edge analytics – one product, multiple features.



*Design and specifications are subjects to change without notice.

INSPH2F

2MP H.265 Covert Pinhole Camera

Product Specifications

Camera				
Image Sensor	1/2.8" 2Megapixel progressive scan STARVIS™ CMOS			
Effective Pixels	1920(H)x1080(V)			
RAM/ROM	512MB/32MB			
Scanning System	Progressive			
Minimum Illumination	0.02Lux/F2.4 (Color,1/3s,30IRE) 0.08Lux/F2.4 (Color,1/30s,30IRE) 0.01Lux/F2.4 (B/W,1/3s,30IRE) 0.04Lux/F2.4 (B/W,1/30s,30IRE)			
S/N Ratio	More than 50dB			
IR Distance	N/A			
IR LEDs	N/A			
Camera Features				
Day/Night	Electronic			
Blacklight Compensation	BLC / HLC / WDR(120dB)			
White Balance	Auto/Natural/Street Lamp/Outdoor/Manual			
Gain Control	Auto/Manual			
Noise Reduction	3D DNR			
Digital Zoom	16x			
Privacy Masking	4 Areas			
Lens				
Lens Type	Fixed			
Mount Type	Board-in			
Focal Length	2.8mm			
Max. Aperture	F2.4			
Viewing Angle	H:104° ,V:59°			
Optical Zoom	N/A			
Focus Control	Fixed			
DORI	Detect	Observe	Recognize	Identify
Distance	38m(126ft)	15m(50ft)	8m(25ft)	4m(12ft)
Video				
Compression	H.265+ / H.265 / H.264+ / H.264			
Resolution	1080P(1920x1080) / 1.3MP(1280x960) / 720P(1280x720) D1(704x576 / 704x480) / VGA(640x480) / CIF(352x288 / 342x240)			
Frame Rate	Main Stream: 1080P(1 to 50/60fps) Sub Stream: D1 (1 to 25/30fps) Third Stream: 1080P(1 to 25/30fps)			
Bit Rate	H.264: 24Kbps ~ 9472Kbps; H.265: 14Kbps ~ 5632Kbps			
Audio				
Compression	G.711a/ G.711Mu/ AAC/ G.726			

*Design and specifications are subjects to change without notice.



INSPH2F

2MP H.265 Covert Pinhole Camera

Product Specifications

Intelligent Functions	
Smart Detection	Tripwire, Intrusion, Object Abandoned/Missing
Adv. Intelligent Functions	Face Detection
Network	
Ethernet	RJ-45 (10/100Base-T)
Protocol	HTTP;HTTPS;TCP;ARP;RTSP;RTP;UDP;SMTP;FTP; DHCP;DNS;DDNS;PPPOE;IPv4/v6;QoS;UPnP;NTP; Bonjour;802.1x;Multicast;ICMP;IGMP;SNMP
Compatibility	ONVIF, PSIA, CGI
Maximum User Access	10 Users/20 Users
Smart Phone	iOS, Android
Interface	
Video Interface	N/A
Audio Interface	1/1 channel In/Out
RS232	1 port
Alarm	2 channel In: 5mA 5VDC 2 channel Out: 1A 30VDC / 0.5A 50VAC
General	
Power Supply	DC12V, PoE(802.3af)(Class 0)
Power Consumption	Less than 6W (working together with lens unit)
Working Environment	-30° C ~ +60° C (-22° F ~ +140° F) / Less than 95% RH
Ingress Protection	N/A
Vandal Protection	N/A
Dimensions	110.0mm×82.7mm×24.0mm

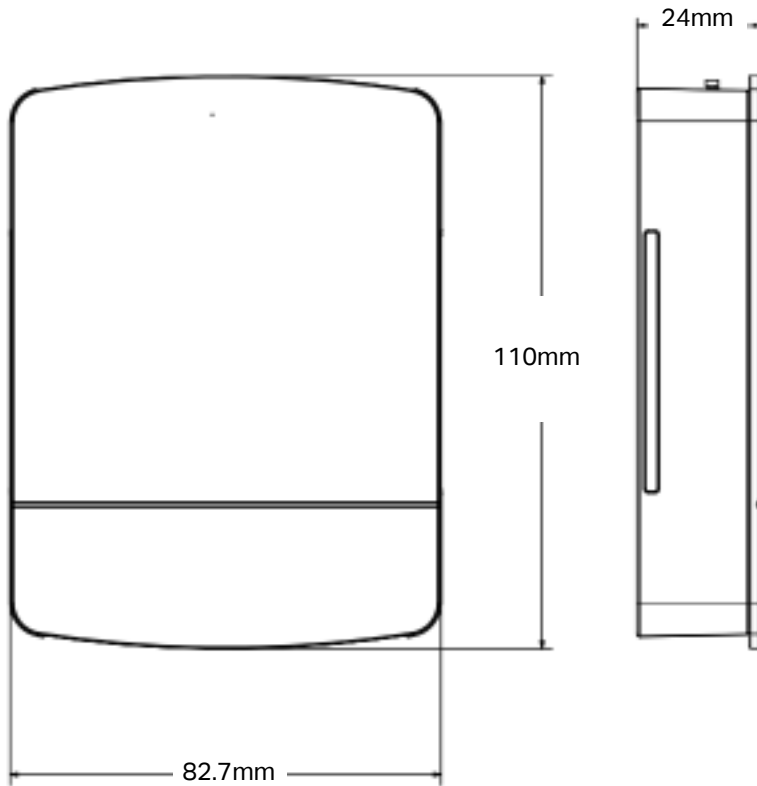
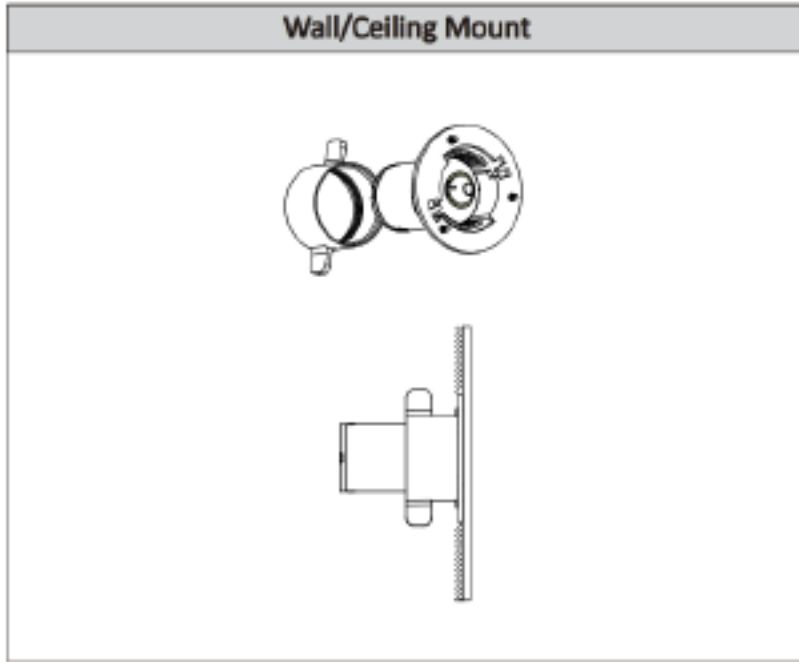
*Design and specifications are subjects to change without notice.



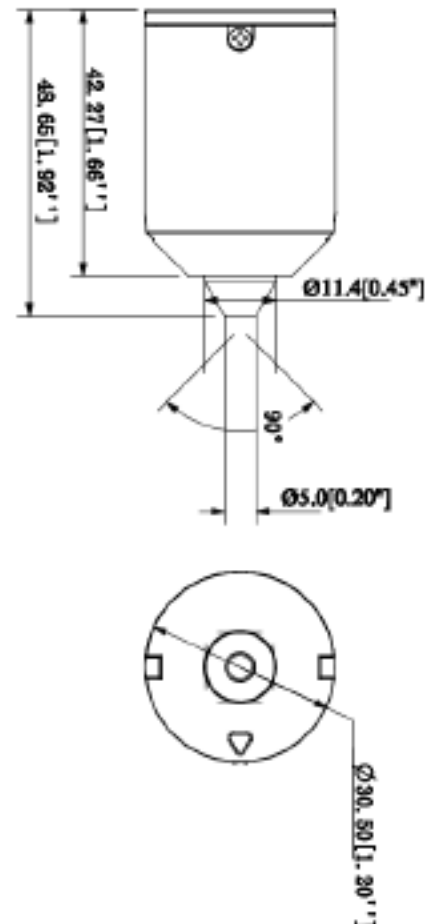
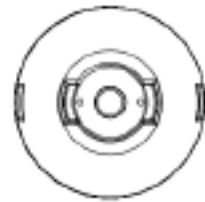
INSPH2F

2MP H.265 Covert Pinhole Camera

Product Specifications



VUSD128G
Micro SD Card



*Design and specifications are subjects to change without notice.

